

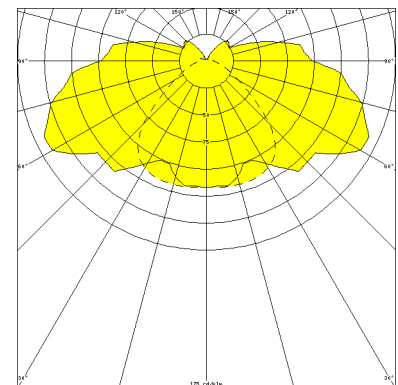
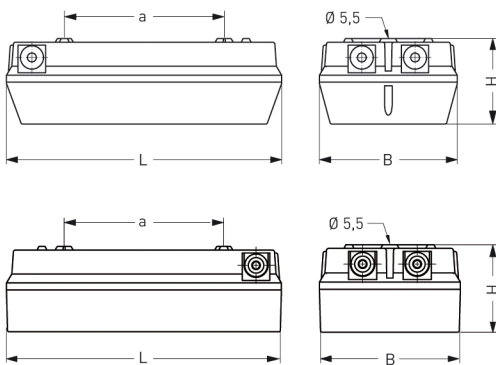
BERLIN, LAMP COVER PC CLEAR, INSIDE RIBBED, WIDE BEAM



BERLIN with lamp diffuser PC clear, inside ribbed (fracture-proof), wide beam, inductive; 1xTC 9/11W

Compact luminaire made of PC with lamp cover PC inside ribbed.
 Including aluminium reflector wide beam.
 Built-in low loss ballast and starter.
 Ready for connection via 4 cable entries.
 For compact fluorescent lamps 9/11W. IP 65, protection class II.

Article number: 421 110 01 - 500 731



MASSE			
Länge (mm)	Breite (mm)	Höhe (mm)	a-Mass (mm)
310	155	96	180

LIGHT OUTPUT RATIO
LOR (%)
73.95