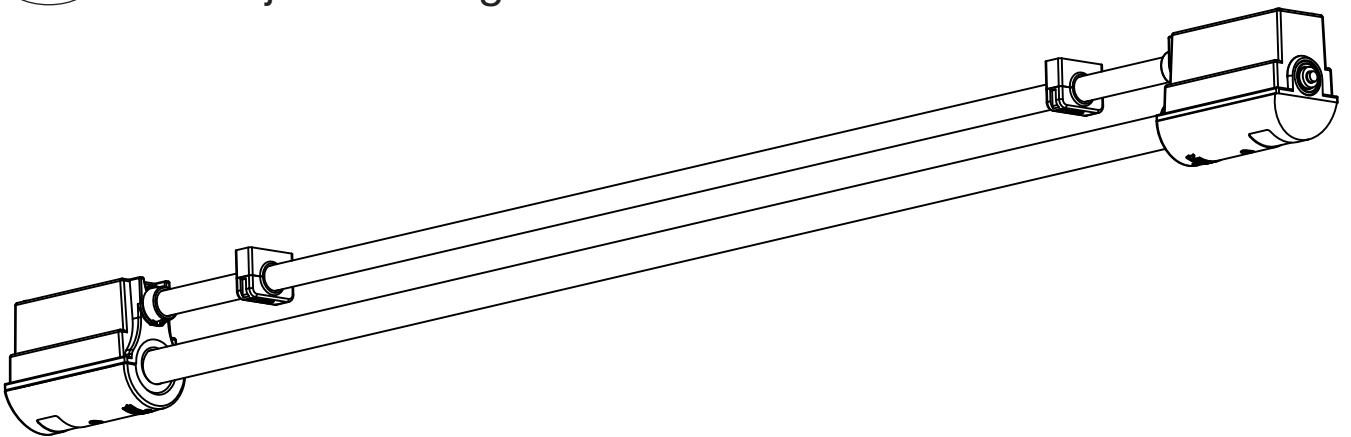

Montageanleitung 9180

- (GB) Mounting Instructions
- (F) Notice de Montage
- (E) Instrucciones de Montaje
- (I) Istruzione per l'Installazione
- (P) Instrucoes de montagem
- (NL) Montage Voorschrift
- (DK) Monteringsvejledning
- (S) Montageanvisning
- (FIN) Asennusohje
- (N) Montasjeveiledning

405 ...



IP 65           T8 ⇒ ~~T5~~

230 V / 50 Hz

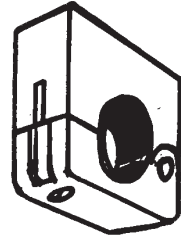
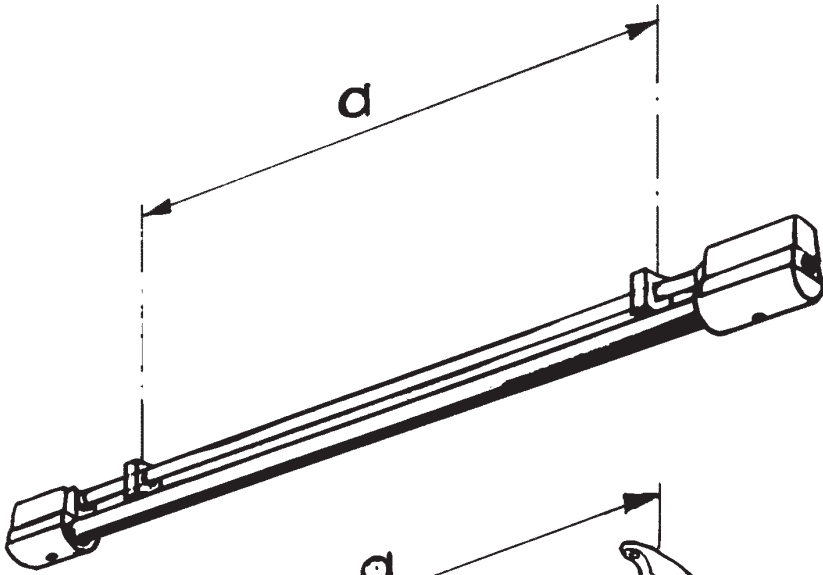
max. 3,1 kg

P = 1 x 18 W

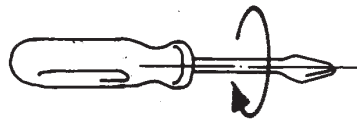
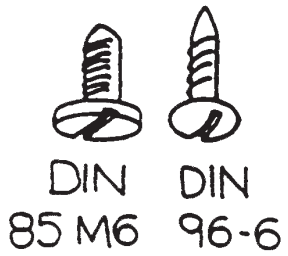
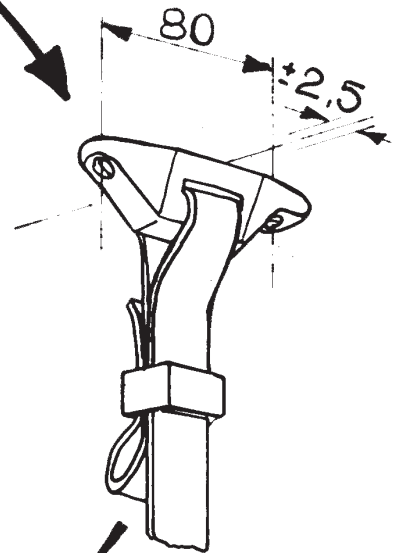
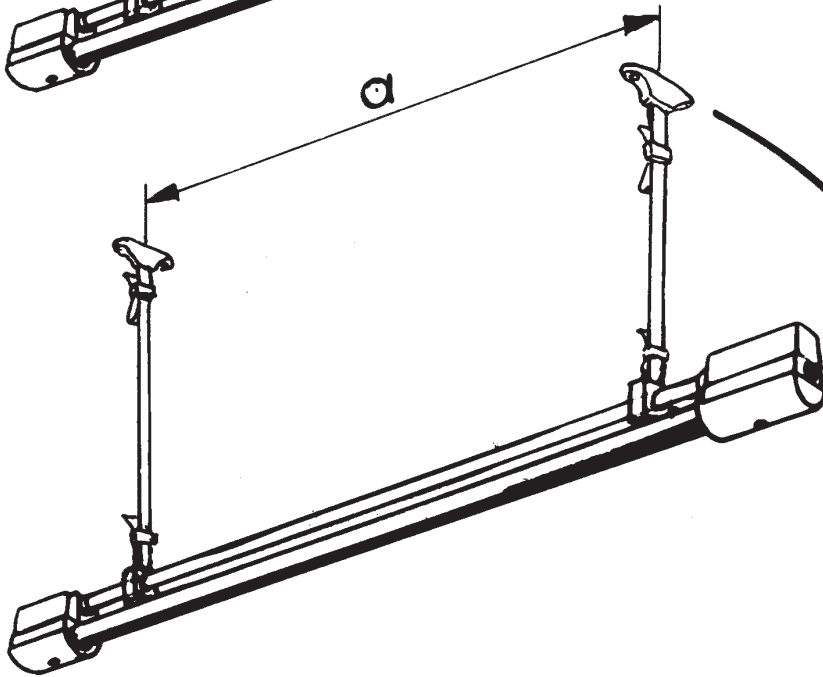
P = 1 x 36 W

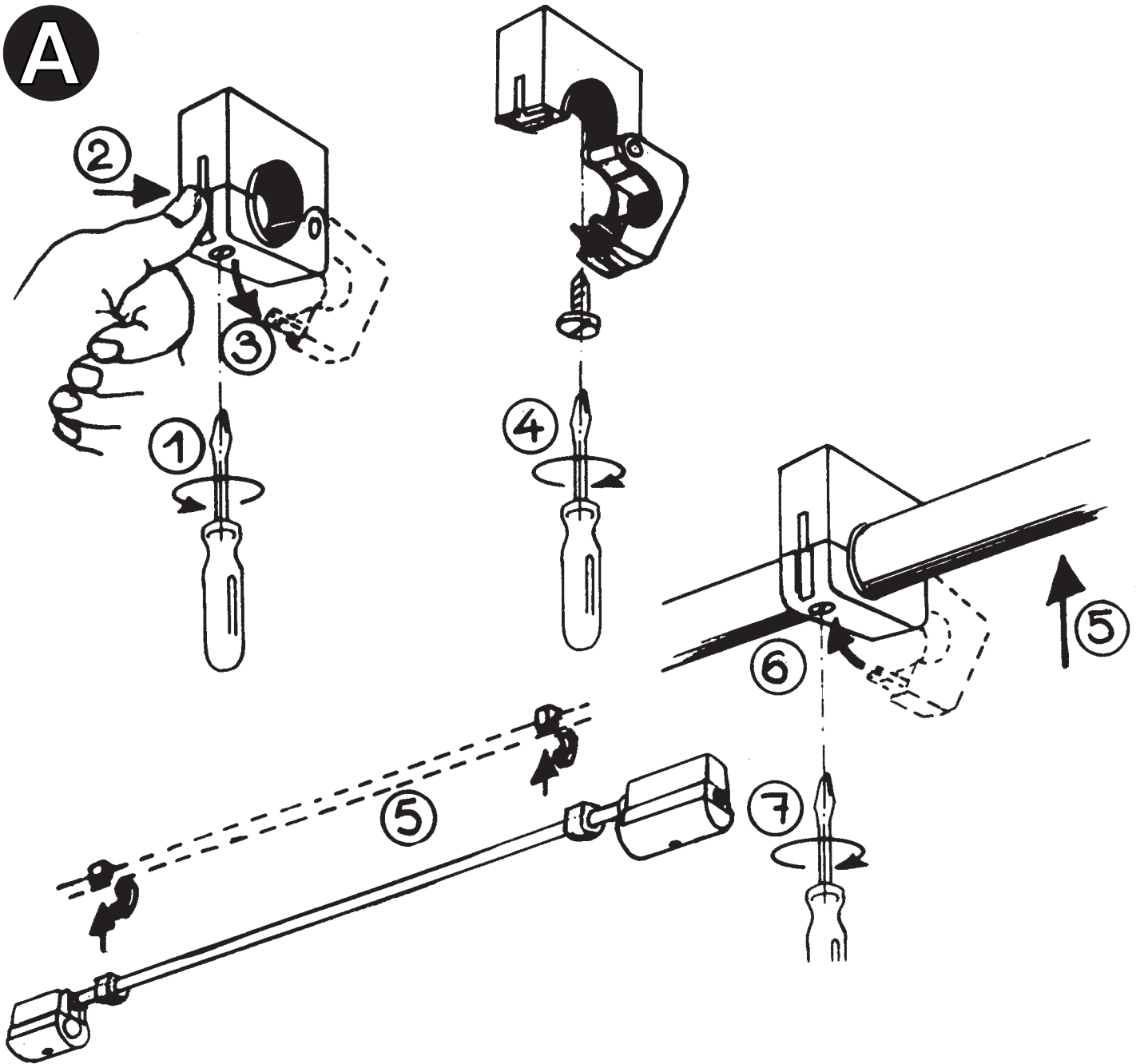
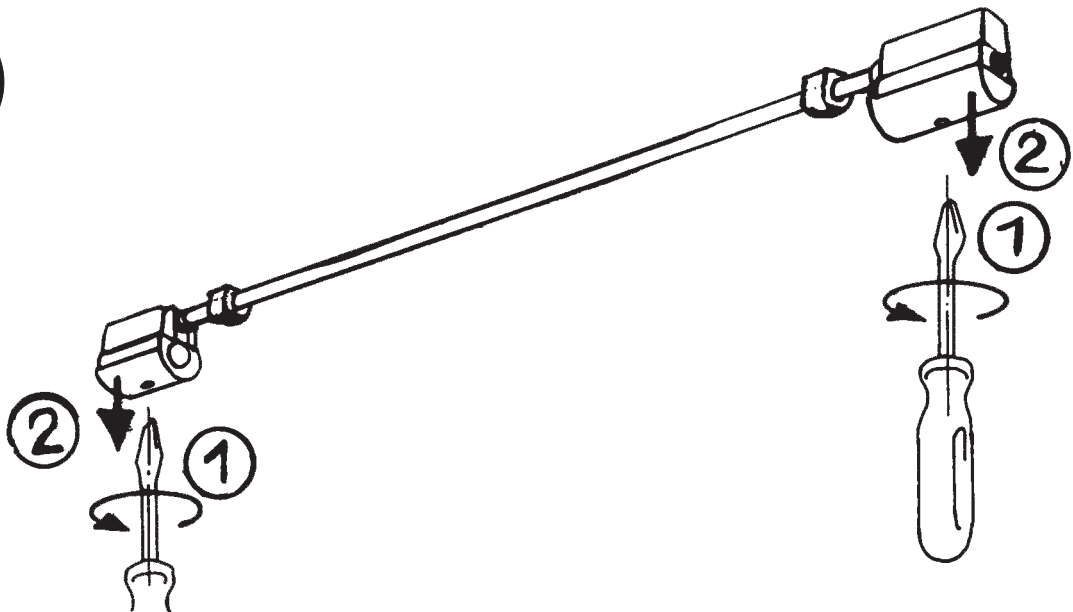
P = 1 x 58 W

NORKA

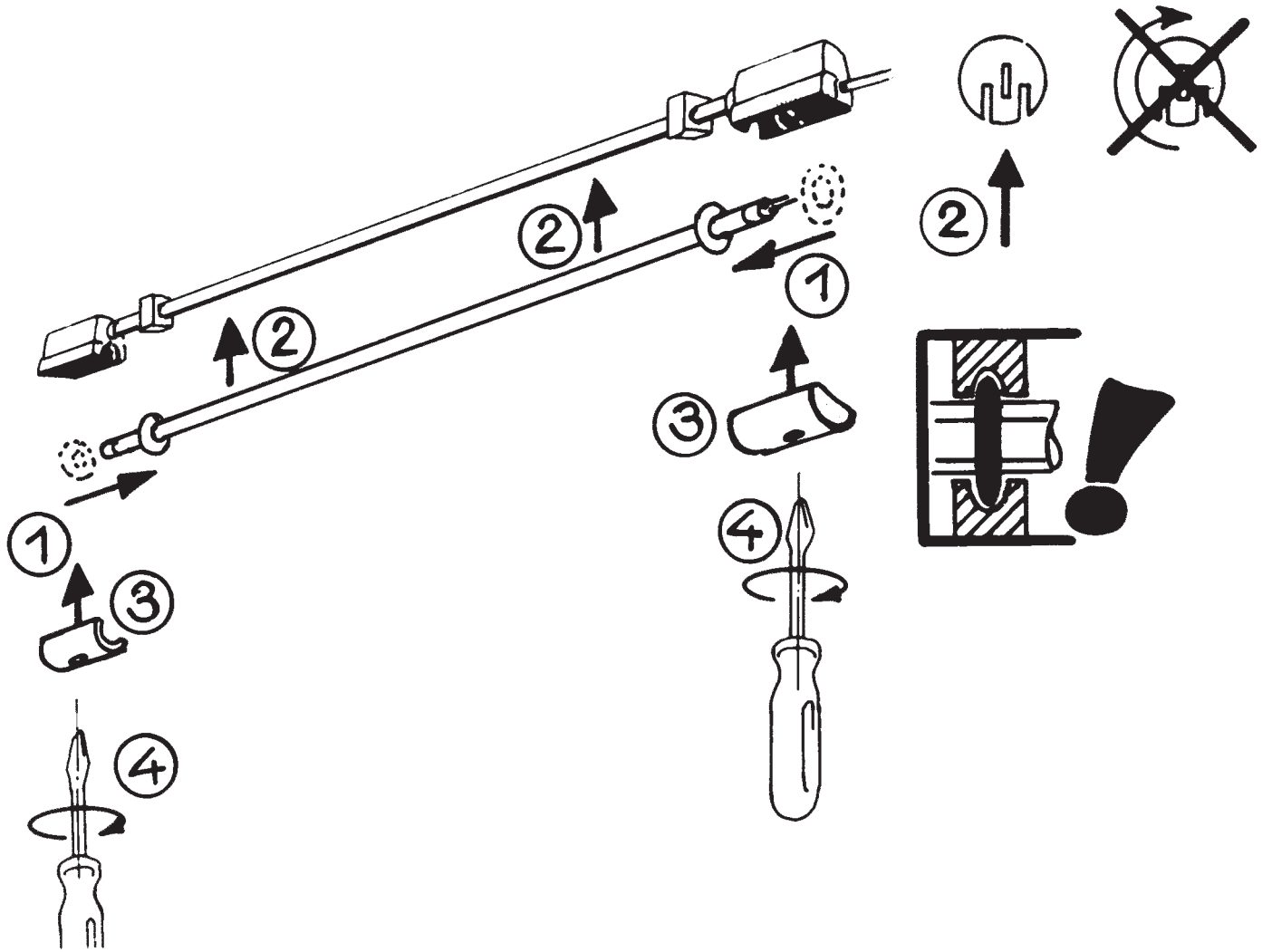


P [W]	a [mm]
18	440 ± 30
36	1000 ± 80
58	1300 ± 80

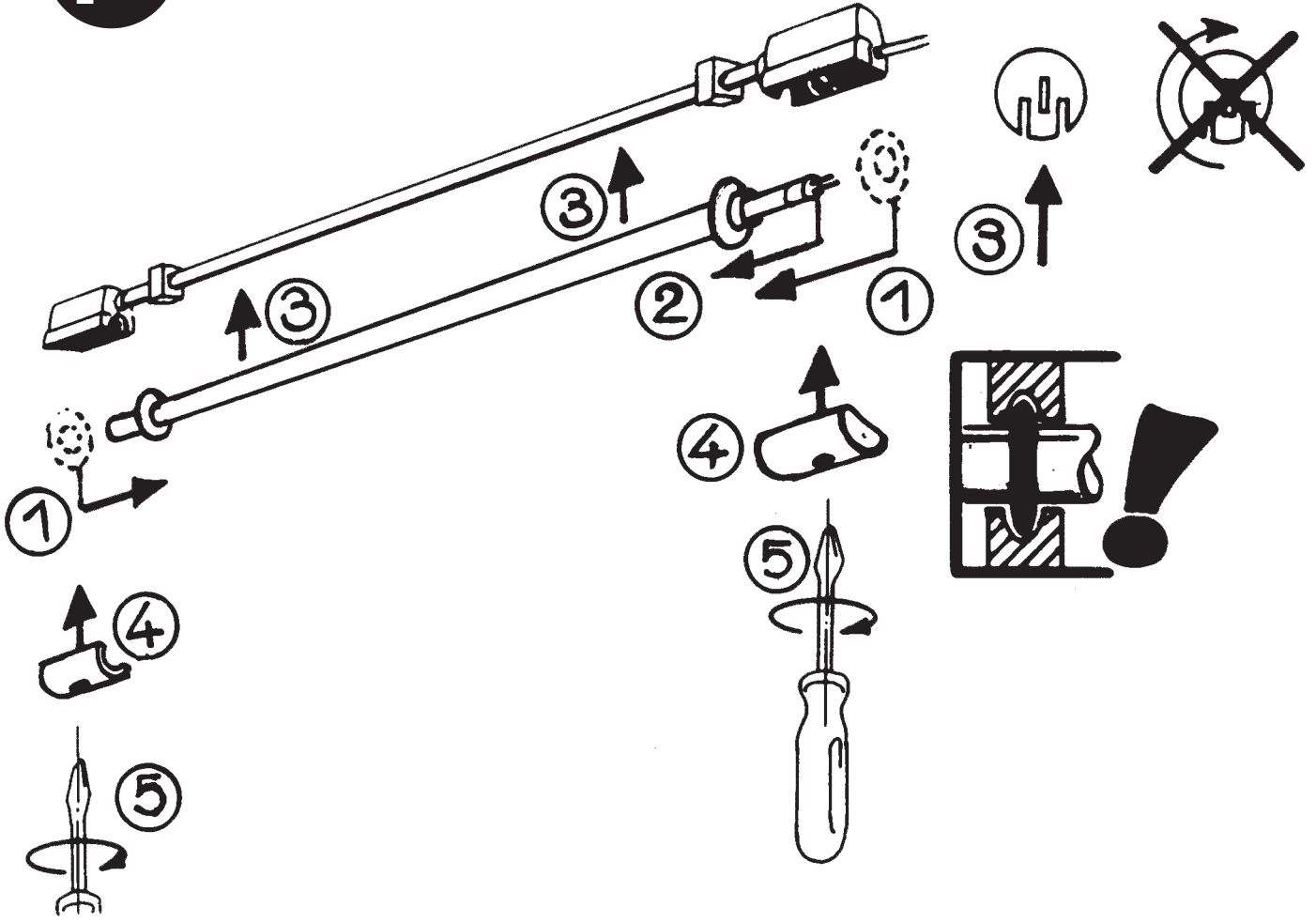


A**B**

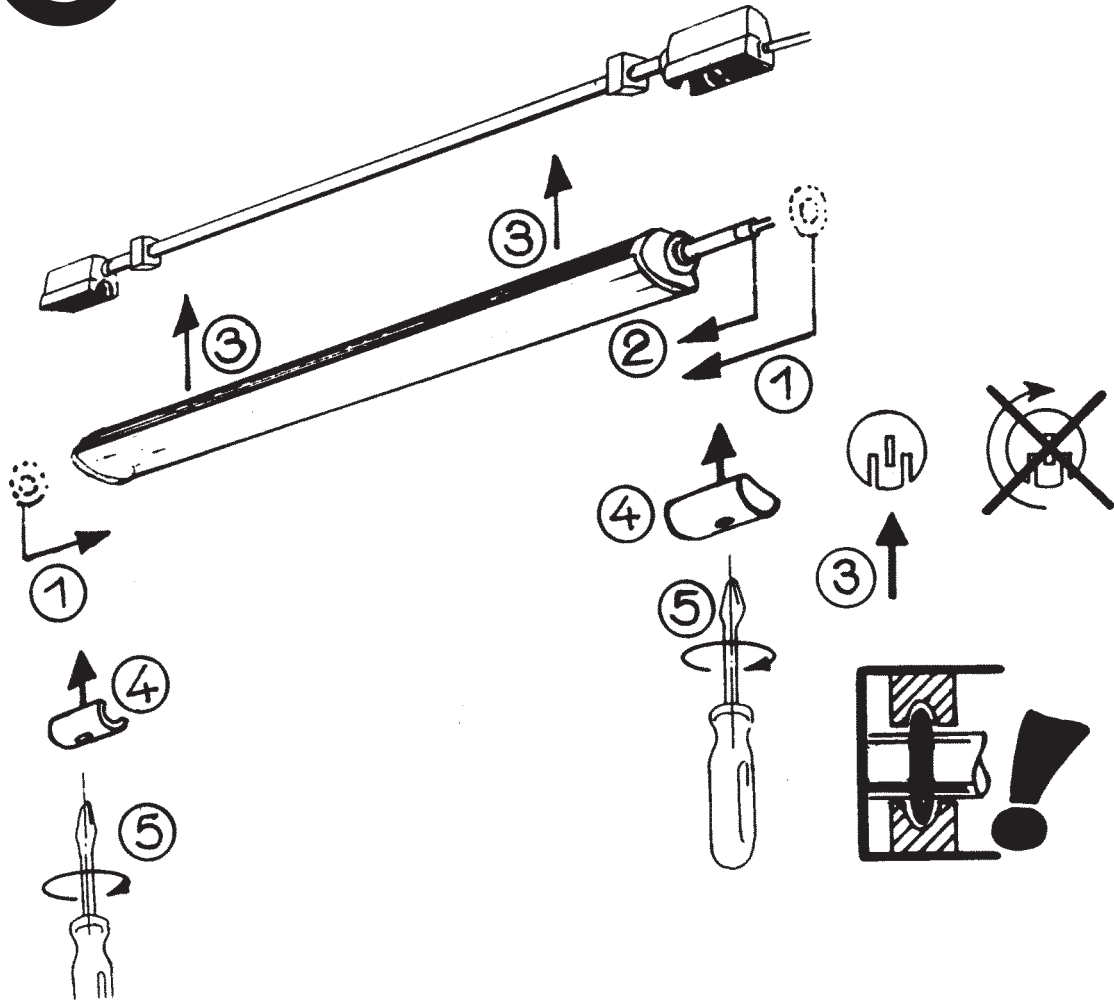
E



F



G



The logo for NORKA, featuring the word "NORKA" in a bold, serif font. The letters "O" and "R" are connected by a horizontal line above them. Below the letters "K" and "A", there are two horizontal lines that resemble the ends of a stylized ribbon or a decorative underline.

NORDDEUTSCHE KUNSTSTOFF-
UND ELEKTRO-GESELLSCHAFT
STÄCKER MBH & CO. KG

Lichttechnische Spezialfabrik

Sportallee 8
D-22335 Hamburg

Postfach 63 02 63
D-22312 Hamburg

Tel.: +49 40 - 51 30 09 - 0
Fax: +49 40 - 51 30 09 - 28

www.norka.de
info@norka.de